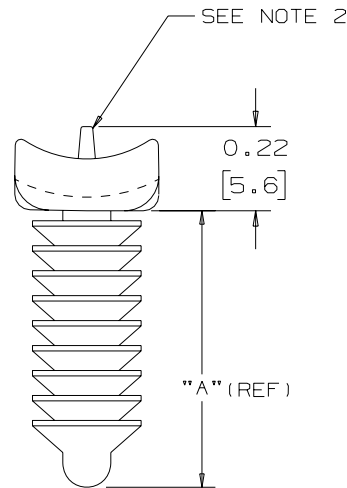
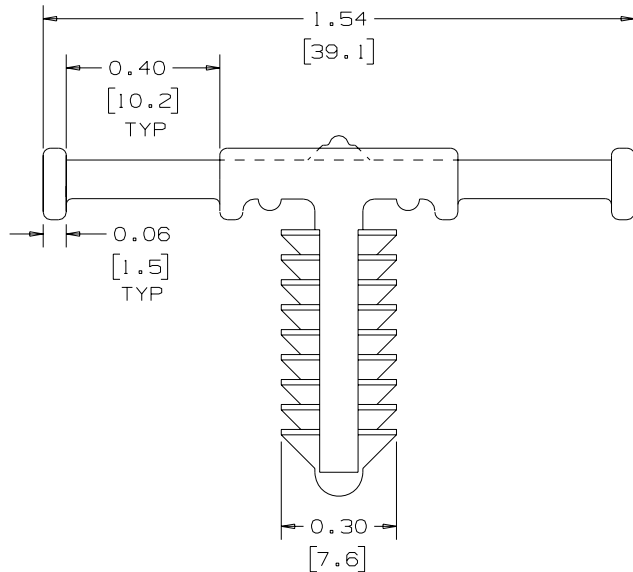
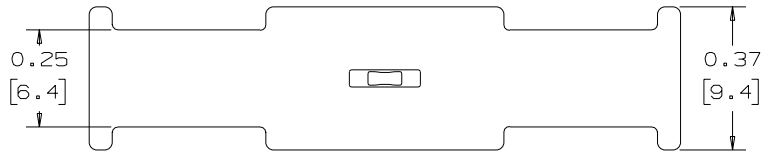


THIS COPY IS PROVIDED ON A RESTRICTED BASIS AND IS NOT TO BE USED IN ANY WAY DETRIMENTAL TO THE INTERESTS OF PANDUIT CORP.

| PANDUIT PART NO. SEE NOTE 1 | CHARACTERISTICS | | RECOMMENDED HOLE DIA. IN. (mm) | RECOMMENDED PANEL SIZE IN. (mm) | WEIGHT LBS./ 100 PCS. (g) |
|--------------------------------|-----------------|----------------|--------------------------------------|---------------------------------------|---------------------------------|
| | NO. of BARBS | A REF | | | |
| THMSC35- --- | 5 | 0.46 [11.7] | 0.244-0.268 [6.2-6.8] | 0.024-0.250 [0.61-6.4] | 0.230 (104) |
| THMSC35F- --- | 5 | 0.46 [11.7] | | 0.024-0.250 [.61-6.4] | 0.220 (103) |
| THMSC60F- --- | 9 | 0.72 [18.3] | | 0.024-0.500 [.61-12.7] | 0.250 (117) |



NOTES:

- SEE PART NUMBER SUFFIX DESIGNATIONS ON CURRENT PRICE SHEET FOR PACKAGE SIZE, PART COLOR AND PART MATERIAL.
- SUFFIX 'F' AFTER PART SIZE INDICATES ABSENCE OF TAB WHERE SHOWN. (I.E. THMSC60F).
- MATERIAL TABLE
 -39 NYLON 6.6 HEAT STABILIZED NATURAL
 -30 NYLON 6.6 HEAT STABILIZED BLACK

DIMENSIONS IN BRACKETS ARE METRIC [mm]

CAD FILENAME/LAYERS G00303BA_PB_THMSC_07

| | | | | | | | | | |
|-----|----------|------|-----|--|----------|---|------|-----|------|
| 7 | 3-7-08 | TMSA | | REMOVED -630 AND -639 FROM THE MATERIAL TABLE NOTE | GB0303BA | 7 | | | |
| 6 | 12-21-06 | TMSA | | REVISED NOTE 3 MATERIAL TABLE | GB0303BA | 6 | | | |
| 5 | 1/21/02 | LGG | | DELETED THMSC60, THMSC85, & THMSC85F | GB0303BA | 5 | | | |
| 4 | 6/28/01 | LGG | | UPDATED FOR WEB | GB0303BA | 4 | | | |
| 3 | 5/5/98 | MLD | | ADDED NOTE #3, CHANGED CAD FILE NAME FROM GB0303BA_PB_THMSC_02 | GB0303BA | 3 | | | |
| 2 | 11/8/93 | JRL | | CHG, D. PART NOS. TO REFLECT SUFFIX "F", | GB0303BA | 2 | | | |
| | | | | ADDED WT. COLUMN & DIM. .22 | | | | | |
| 1 | 2/12/93 | JRL | | ADDED RECOMM. HOLE & PANEL SIZE | GB0303BA | 1 | | | |
| REV | DATE | BY | CHK | DESCRIPTION | ECN | R | CUST | SUP | O.C. |



THMSC, THMSCF
TIE HARNESS MOUNT

UNLESS OTHERWISE SPECIFIED, DIMENSIONAL TOLERANCES ARE:
 (.X) ±0.05 [1.3] (.XXX) ±0.010 [0.25]
 (.XX) ±0.02 [0.5] ANGLES ±5°

UNLESS OTHERWISE SPECIFIED, ALL DIMENSIONS ARE GIVEN IN INCHES, THIRD ANGLE PROJECTION.

DRAWN BY TNT

MAT'L:

SCALE 2/1

DATE 11/24/92

SEE NOTE 3

DRAWING NO. GB0303BA
 DWG SIZE A

CHK'D